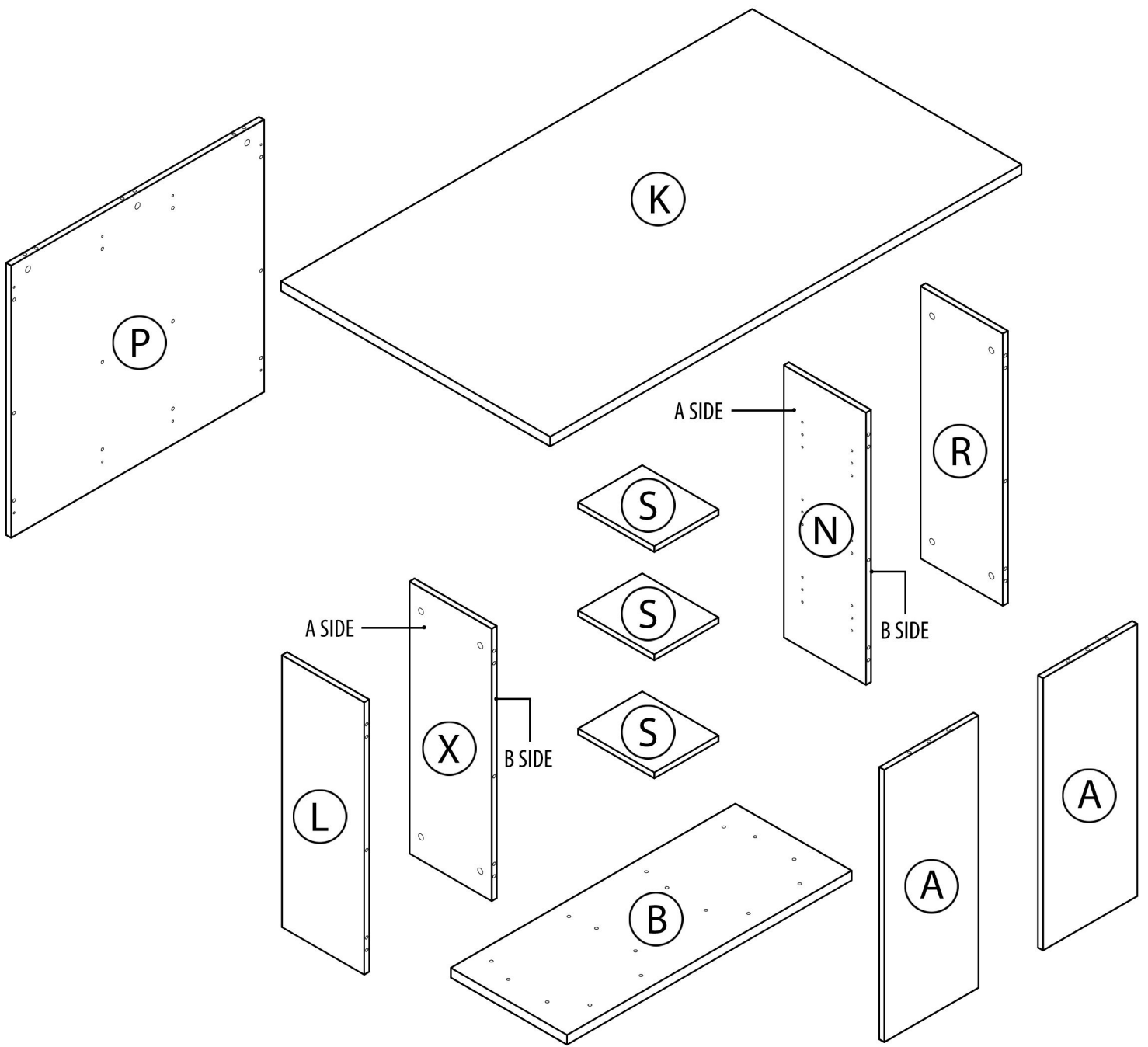
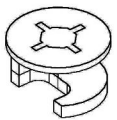
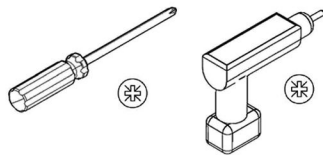


35 minutes

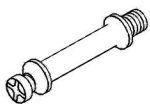




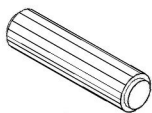
USING TOOLS



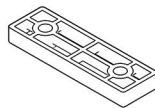
Fx21



Px21



Kx31

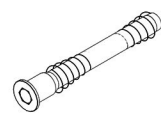


BAPx6

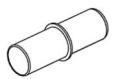


B1x12

3,5x16

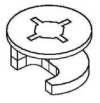


Sx16



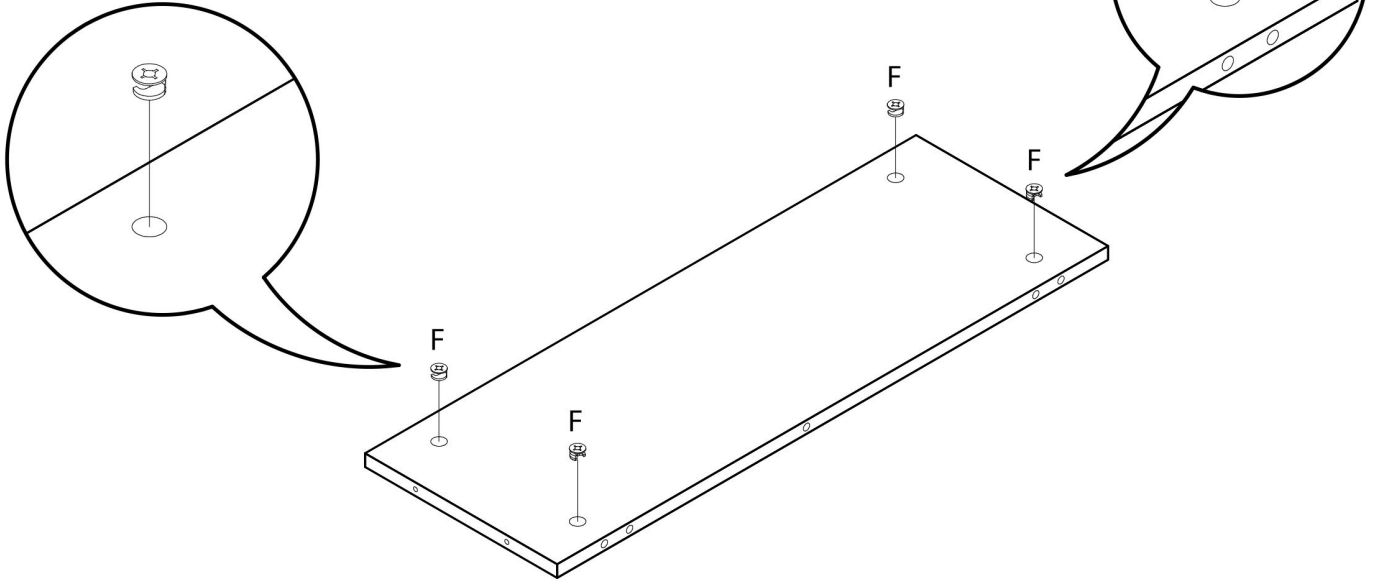
Tx12

1

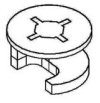


Fx4

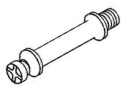
(L) & (R)



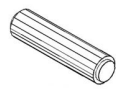
2



Fx1



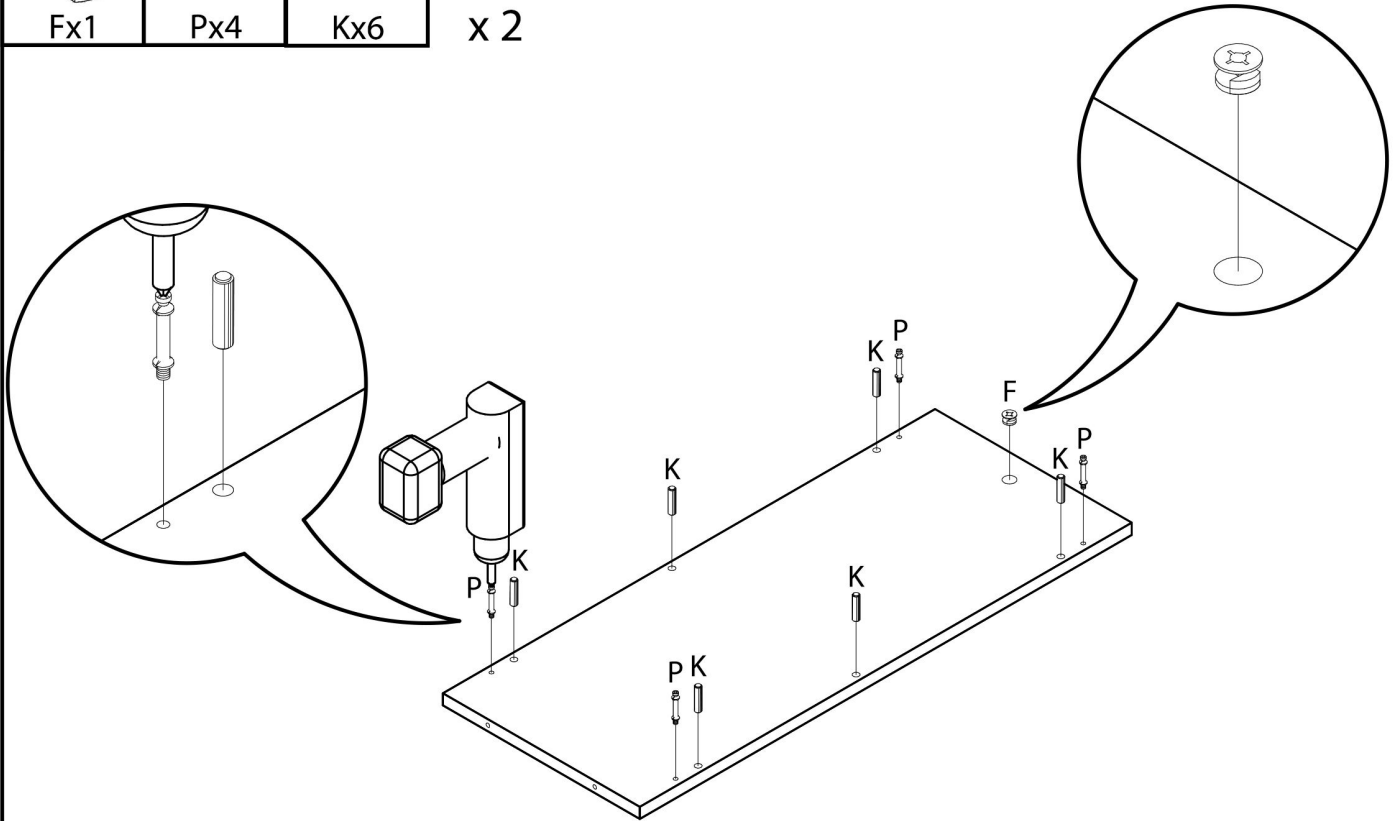
Px4



Kx6



x 2

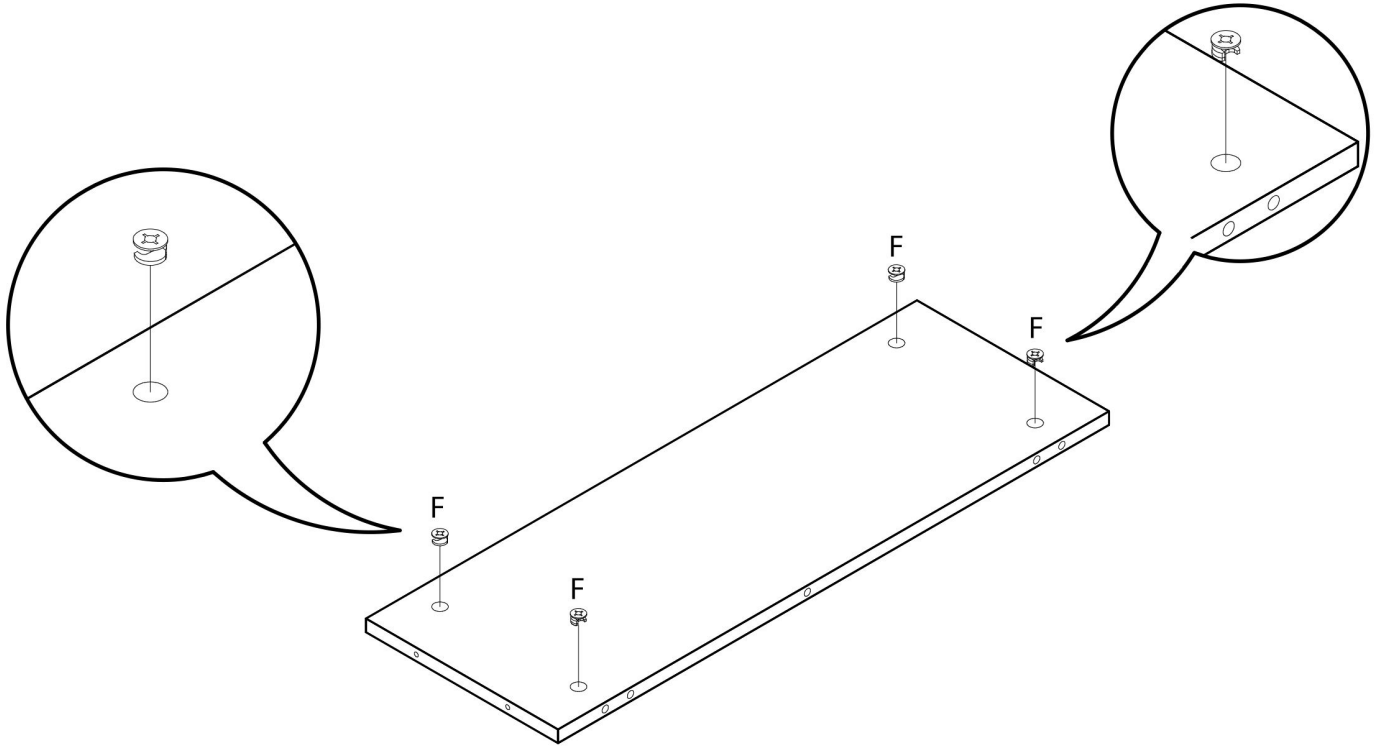


3



Fx4

(X) A SIDE + (N) B SIDE



4



Fx3

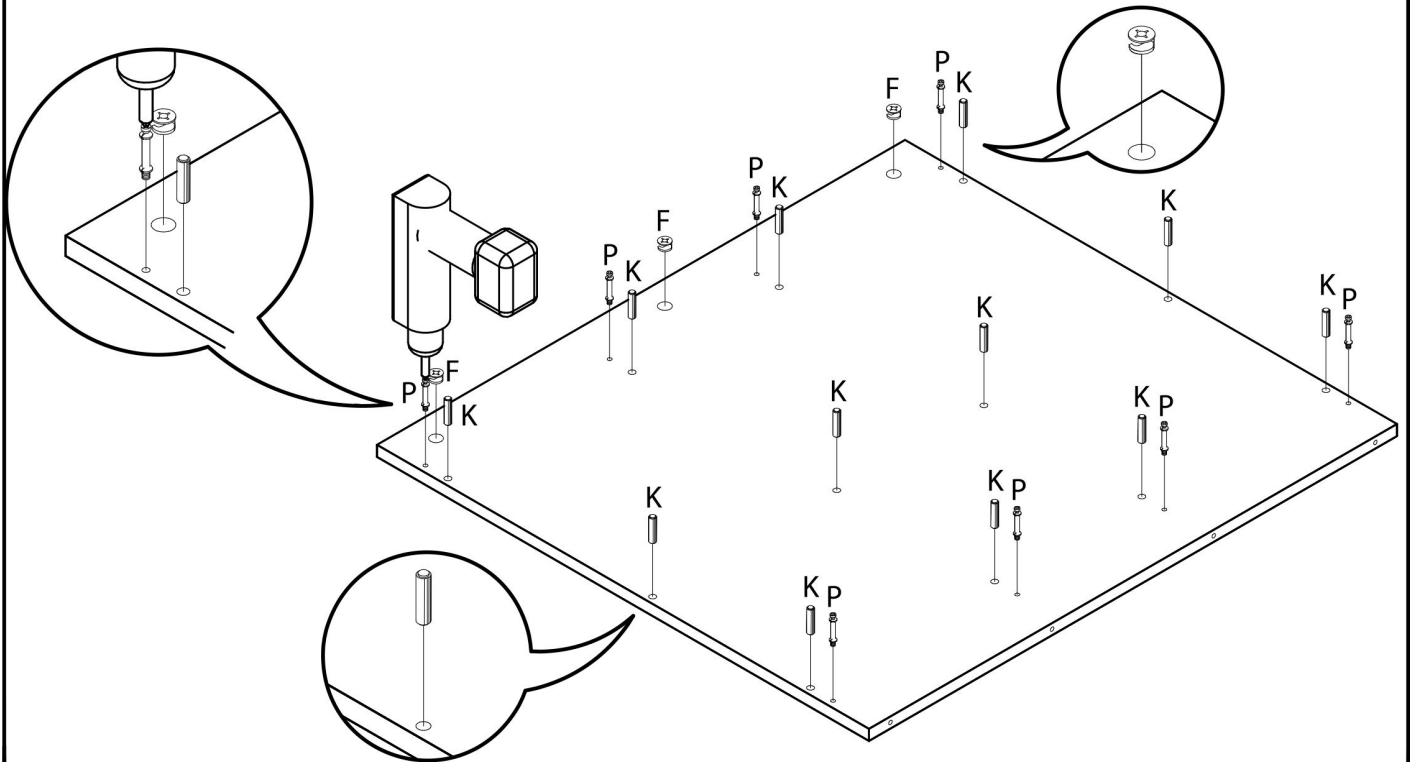


Px8

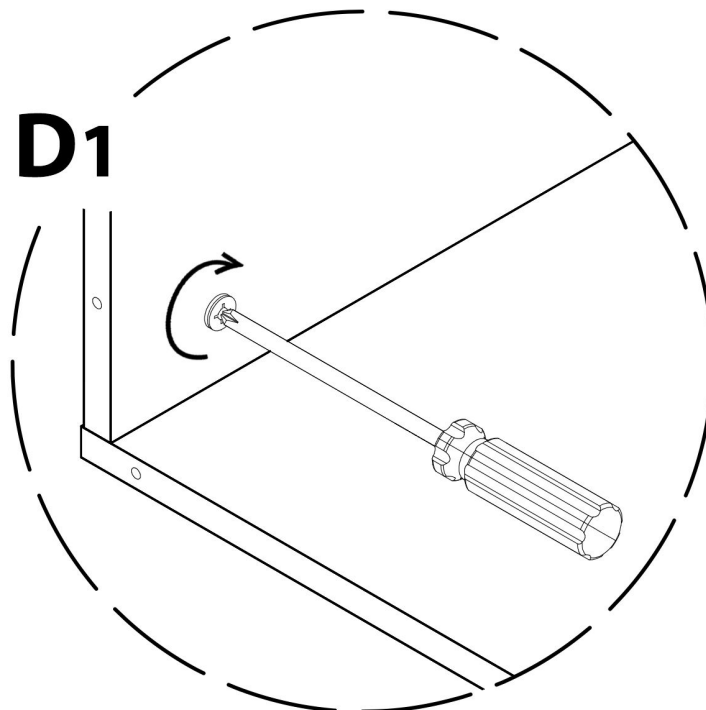
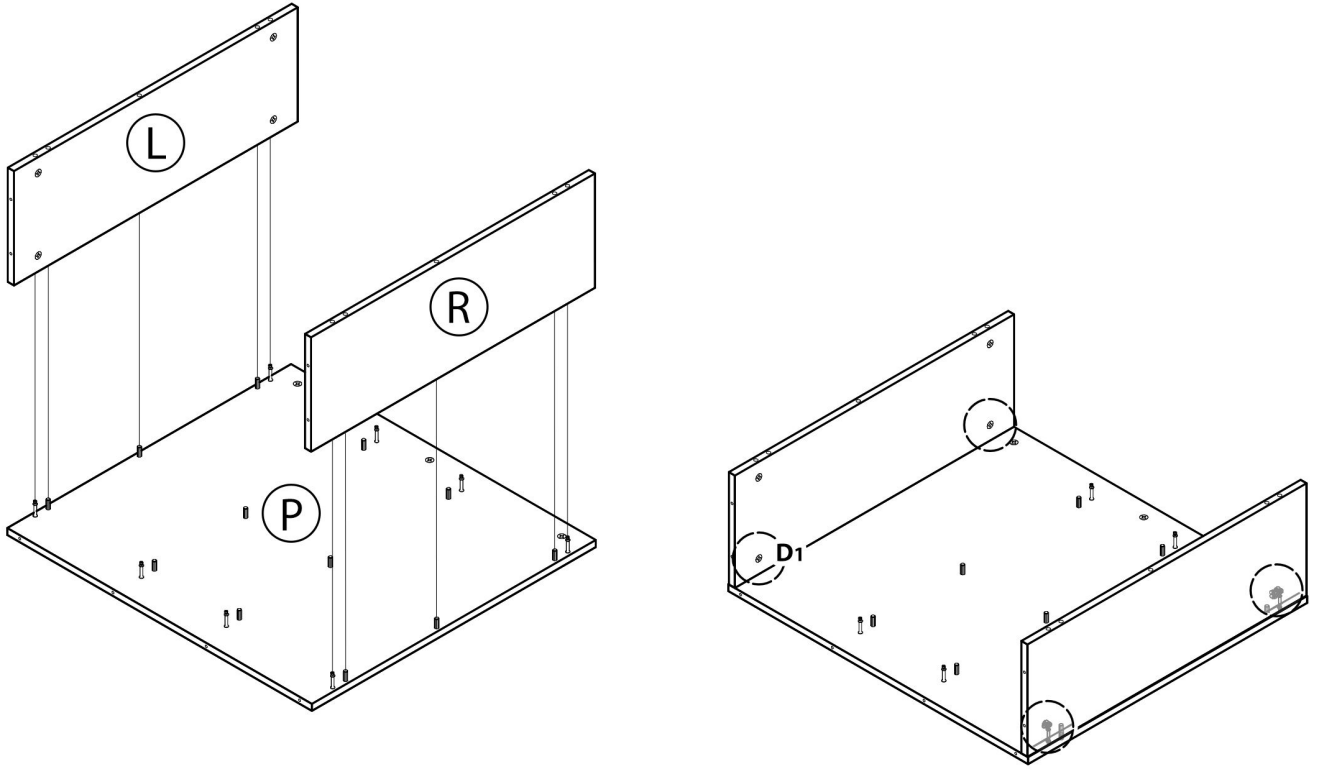


Kx12

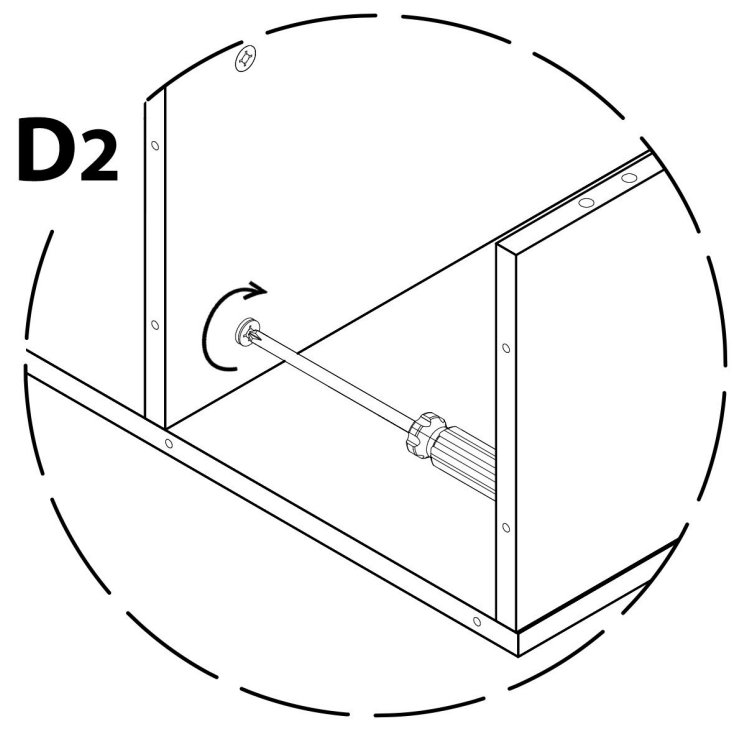
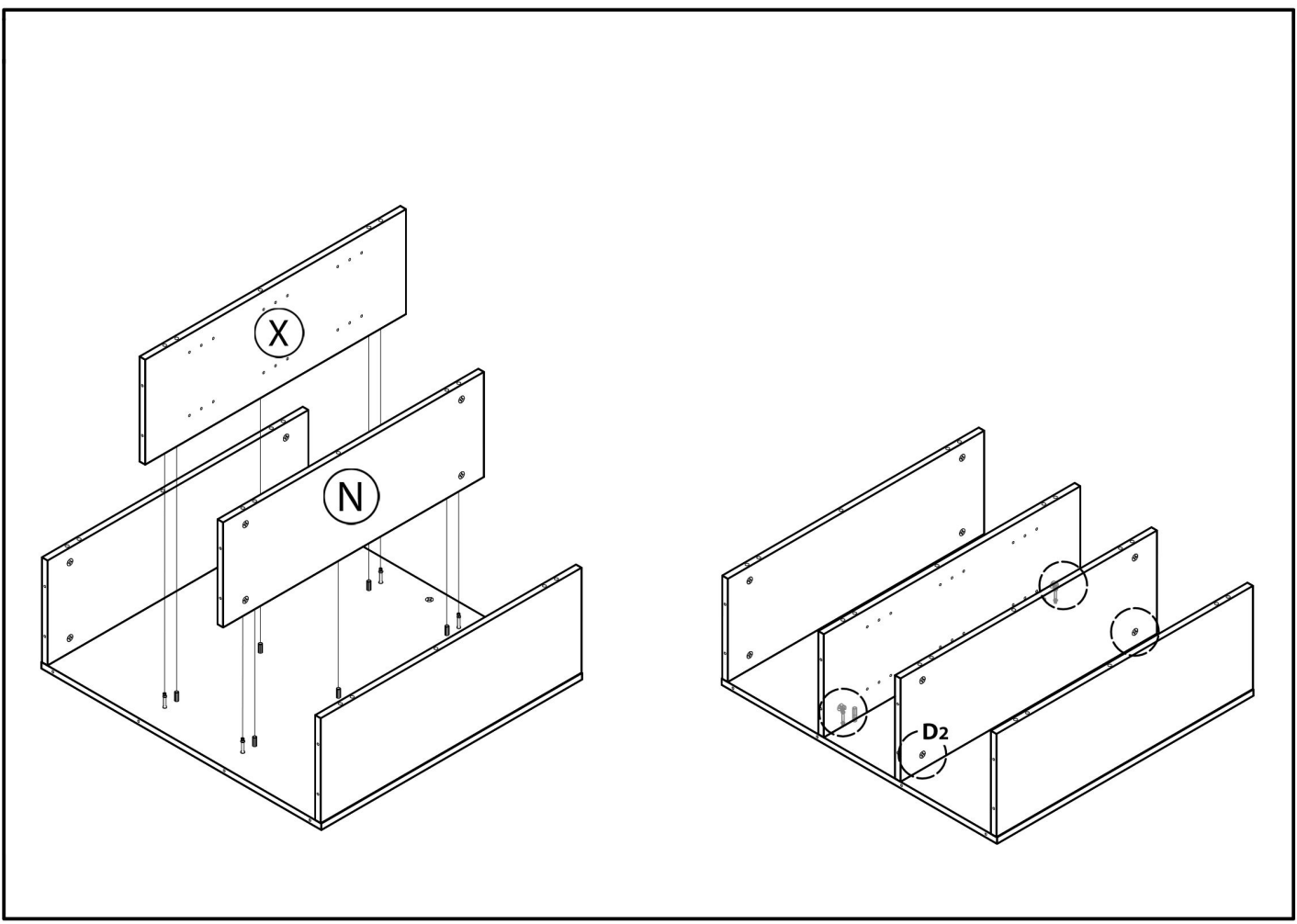
(P)



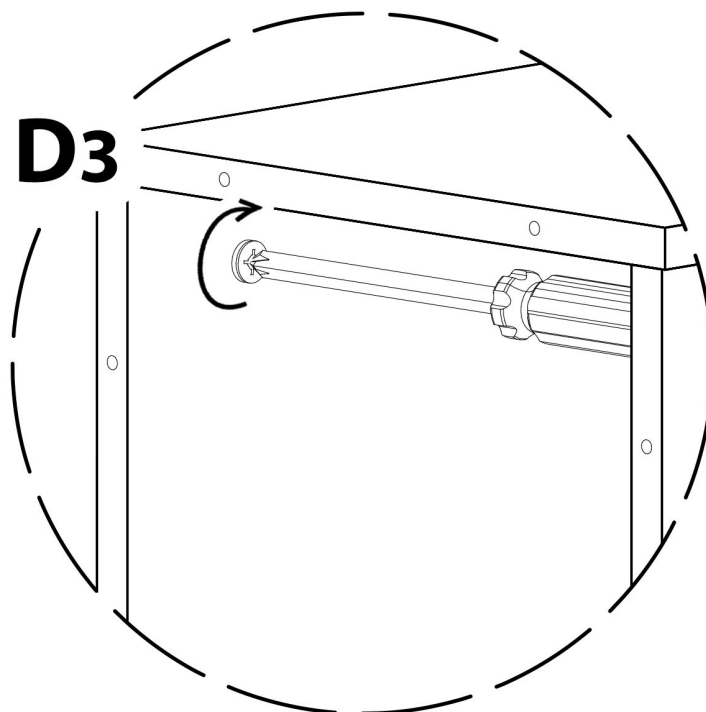
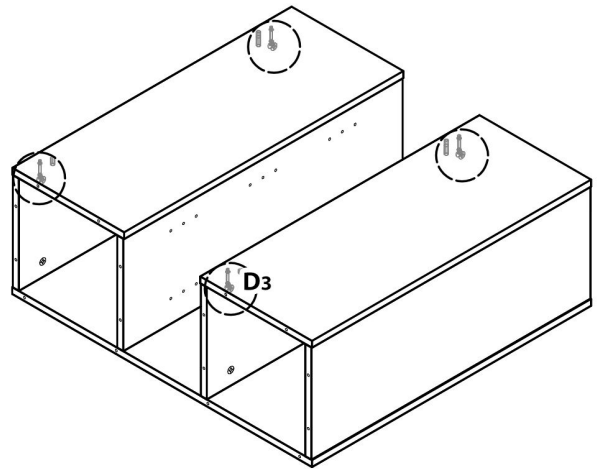
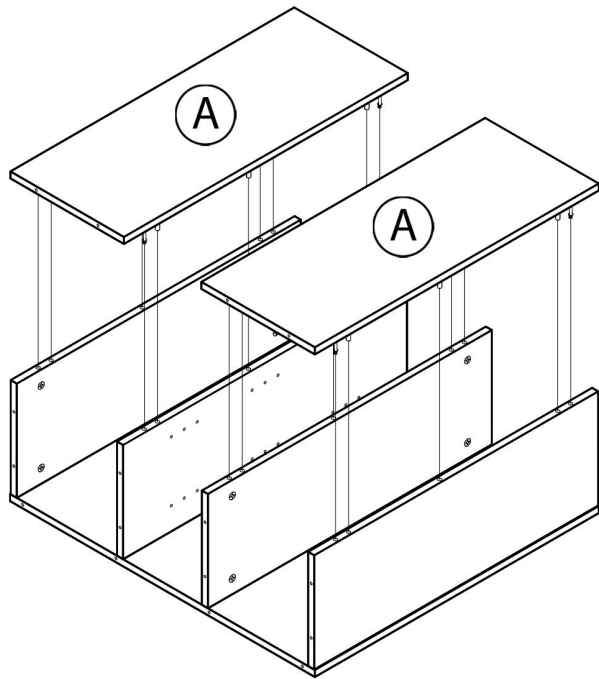
5



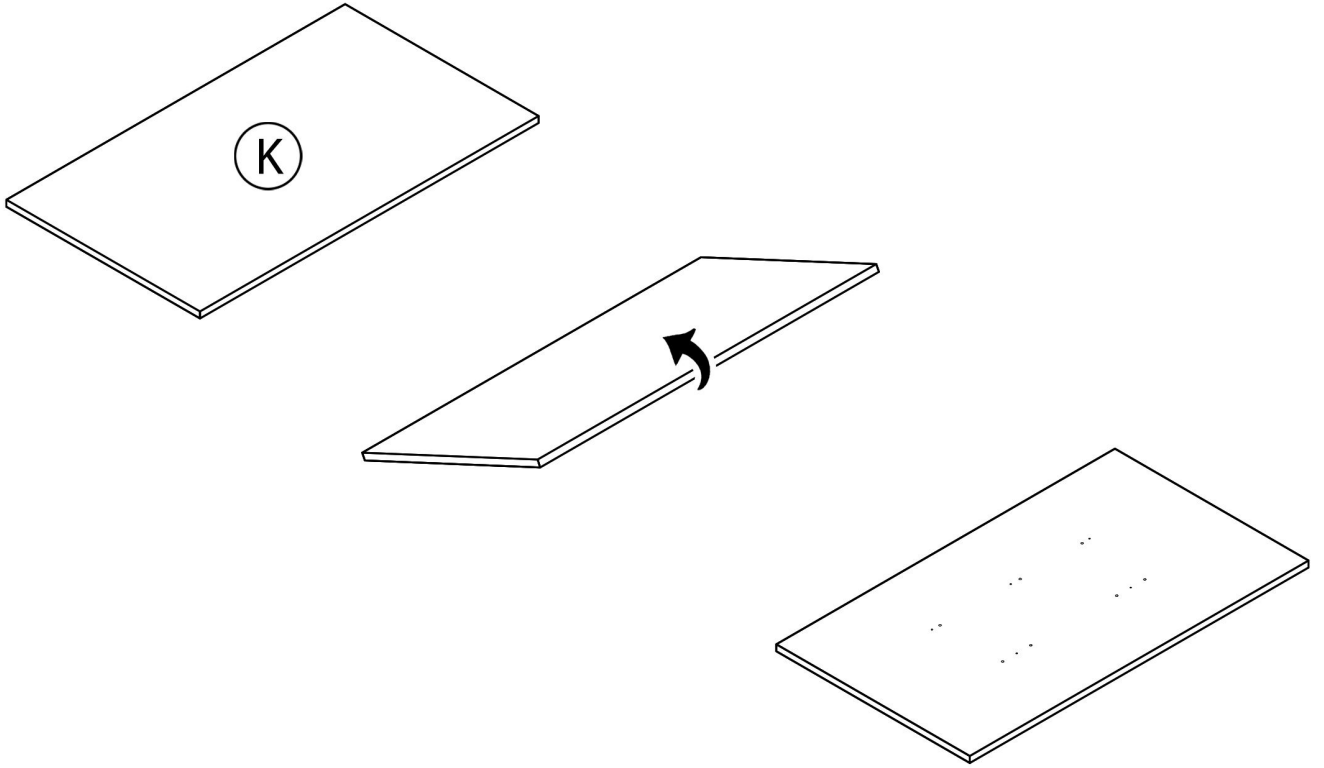
6



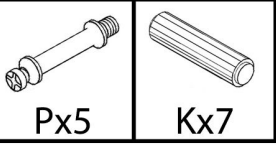
7



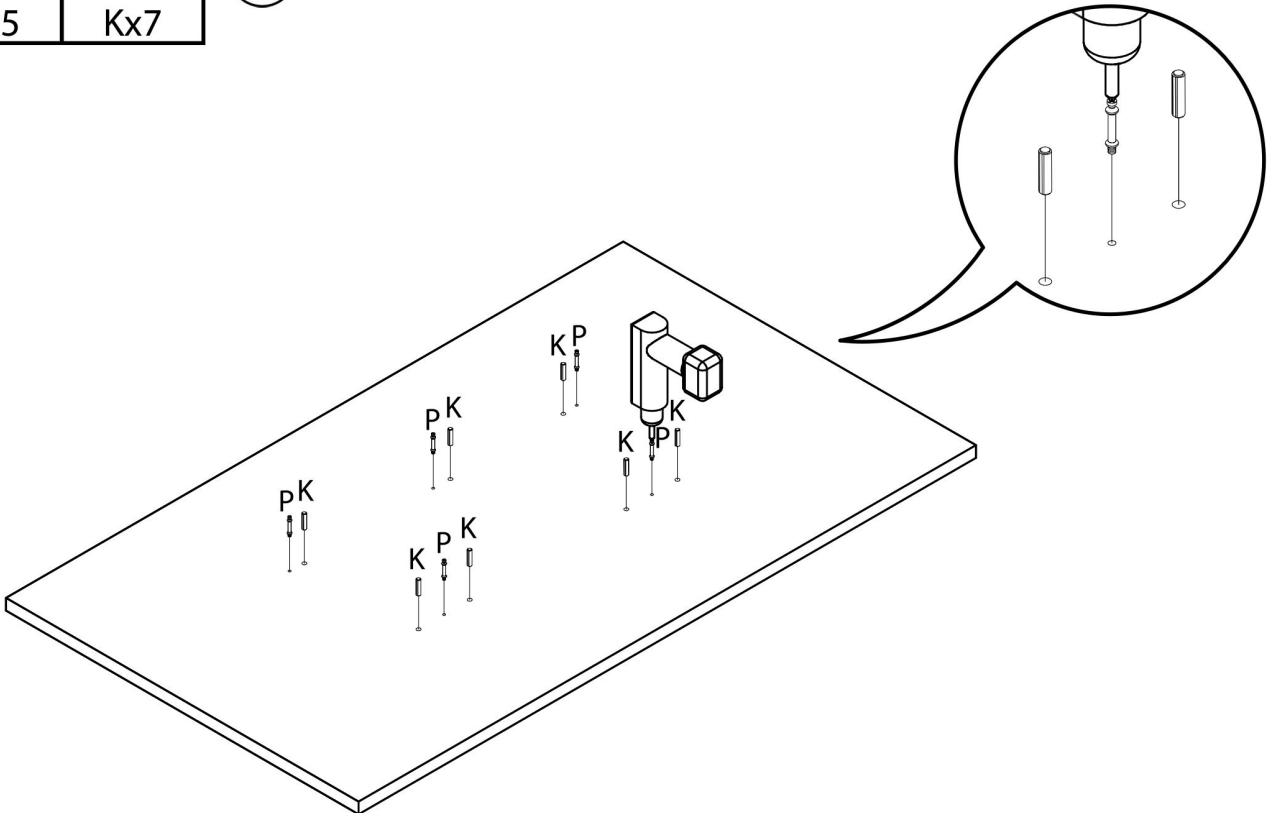
8



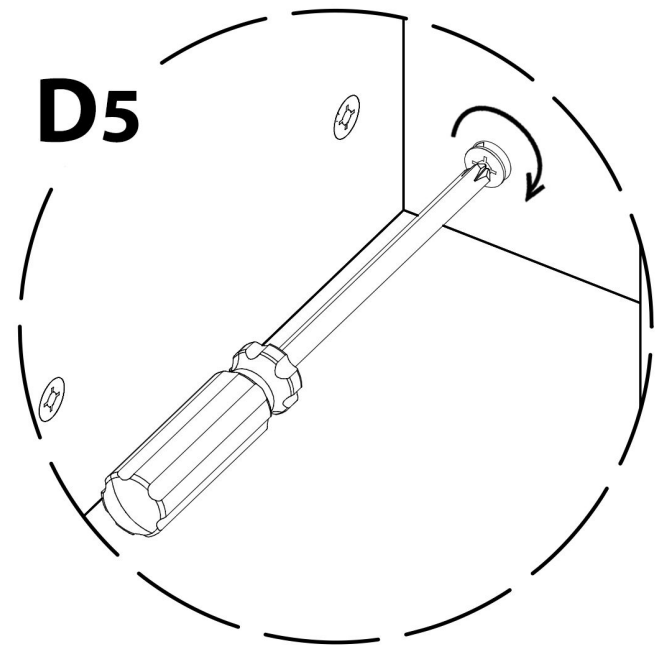
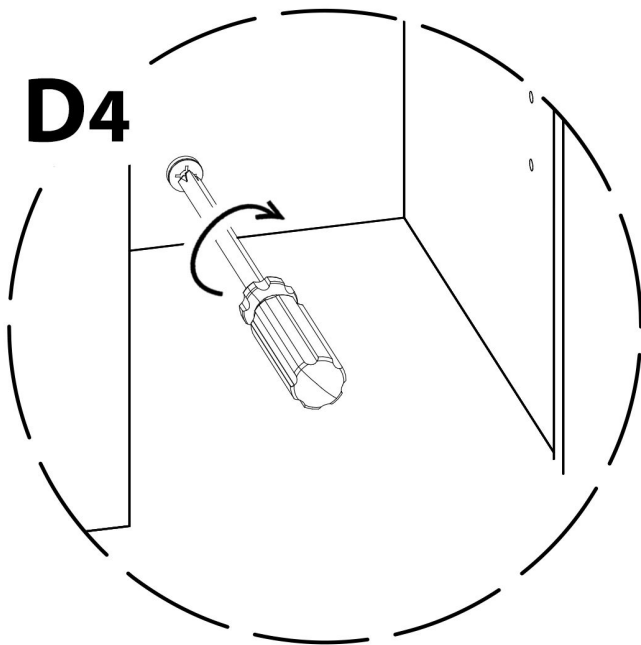
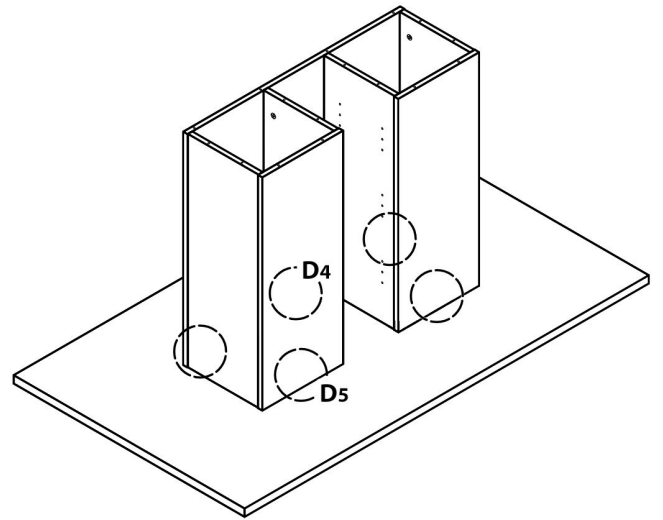
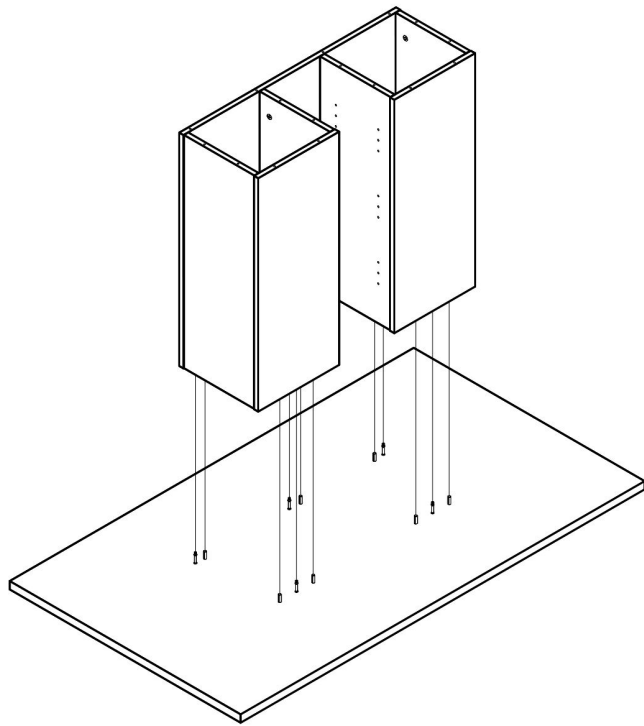
9



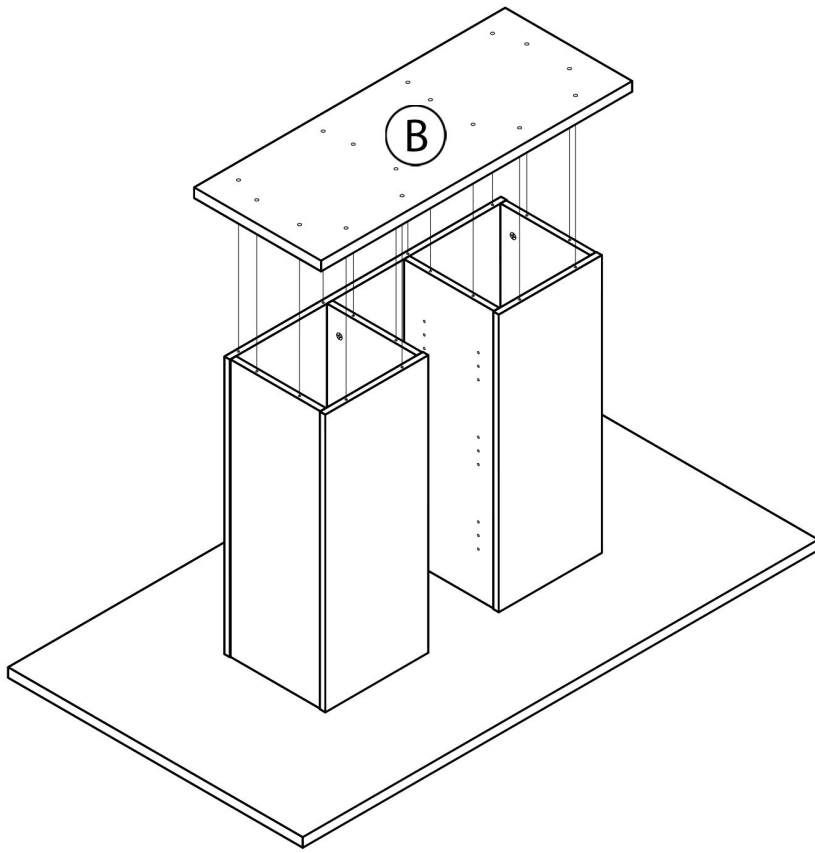
(K)



10



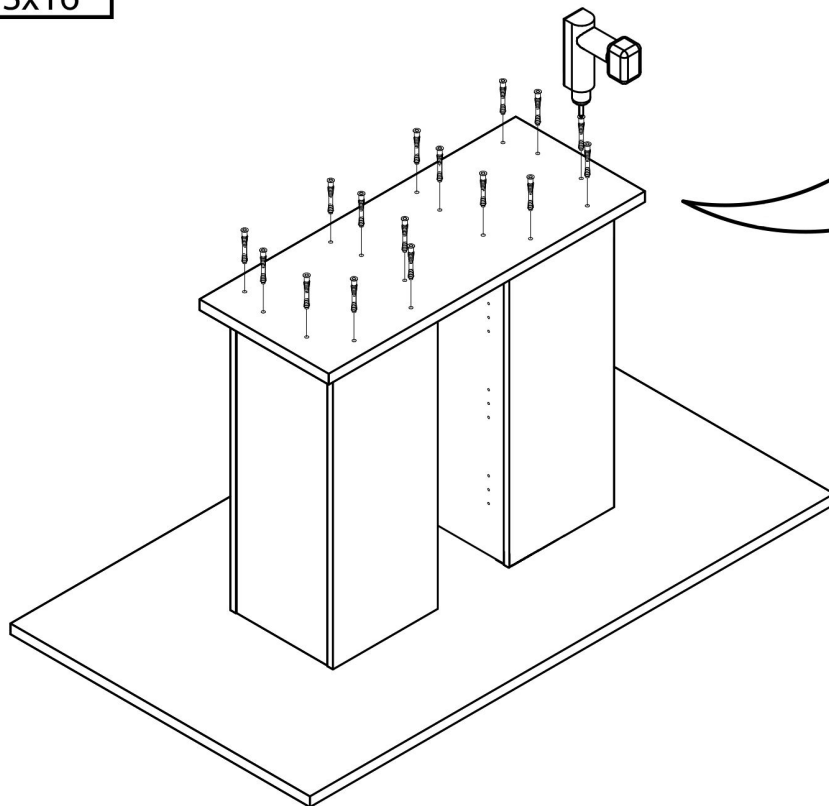
11



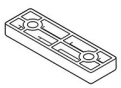
12



Sx16



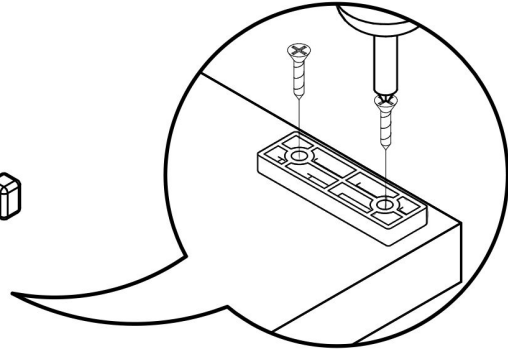
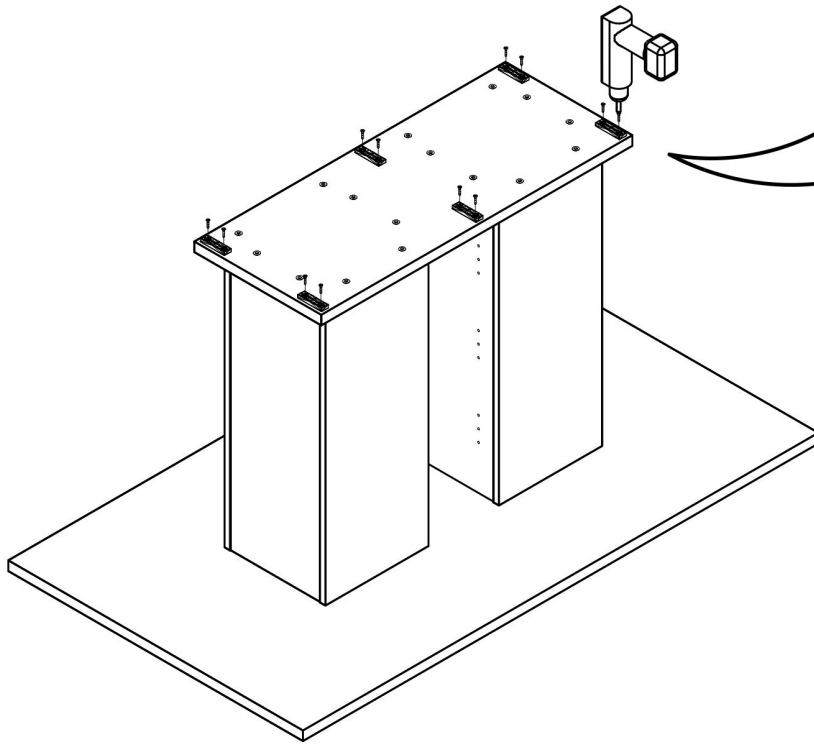
13



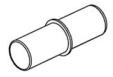
BAPx6



B1x12

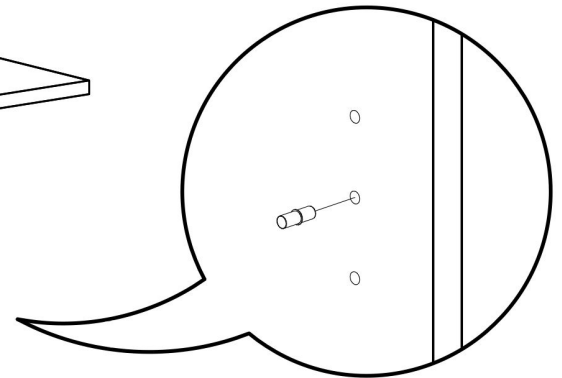
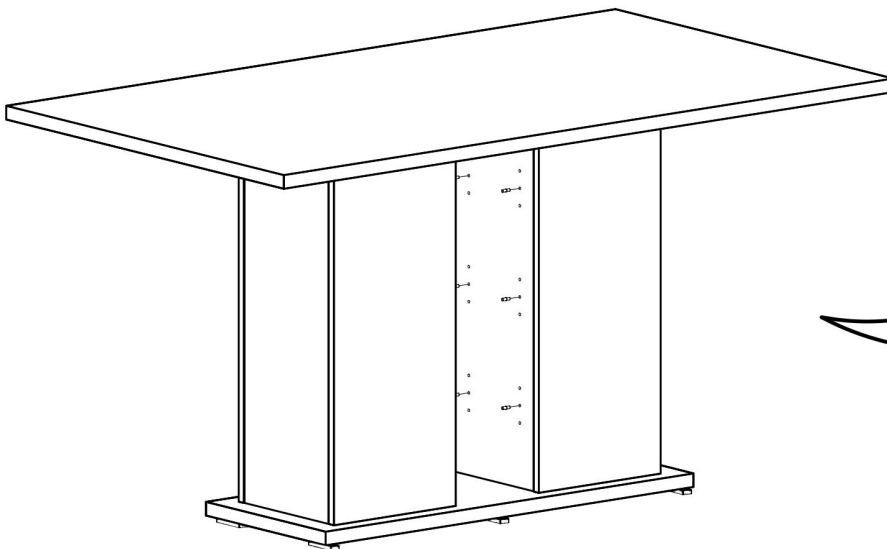


14



Tx12

(X) B SIDE + (N) A SIDE



15

